

COURSE OUTLINE:

REVISED AUSTRALIAN STANDARDS

Whilst there are many Australian Standards that affect this industry there are three that stand out and a must-know for everyone in the swimming pool and spa industry.

- 1) 1926.1: Safety Barriers for Swimming Pools
- 2) 1926.2: Location of Safety Barriers for Swimming pools
- 3) 1926.3: Water Recirculation Systems

WHAT WILL THE COURSE COVER

This full day course is designed to enable attendees to understand and interpret recent changes to the above Australian Standards.

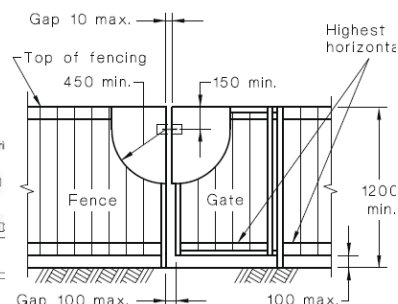
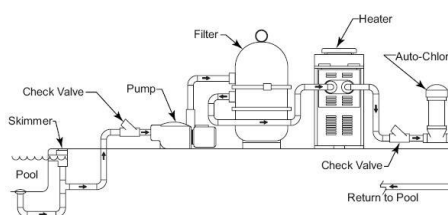
PRESENTER

Cal Stanley - Standards Australia Committee Member since 1989

Cal Stanley of Western Australia is considered by many to be a leading authority when it comes to Australian Standards for the swimming pool and spa industry.

WHO SHOULD ATTEND

- Swimming Pool Retailers
- Service Technicians
- Swimming Pool Builders
- Fencing Contractors
- Consultants
- Other interested parties



DATE:
Thur 16th May - 8:30am- 5:00pm

VENUE:
SPASA Training Facility
Unit 1 / 33 Daking St,
North Parramatta, NSW, 2158

COST:
\$350 per person (Inclusive of lunch)

CPD POINTS

REGISTRATION

Company Name: _____ Number Attending: _____

Attendee(s): _____

Tick to: Invoice our business (must be a member)

Charge to my Mastercard/Visa/Amex(incurs 3% charge)

My full card number is EXP/.....

Name on Card

Address Postcode.....

Email to spasa@spasa.org.au or fax to 02 9630 6355

“Transforming Industry, Meeting Needs, Building Careers”